

# SERVICE BULLETIN

**PRODUCT:** Computer Monitor

**BULLETIN:** MON 97-005

**MODEL:** CMH7379L

**SUBJECT:** Q407 Failure Causing No Raster or Small Horizontal Size

---

**BACKGROUND:** Q407 fails due to a transient pulse and current when mode switching from DOS to Windows. This occurs with a Matrox video card installed in the computer.

**SOLUTION:** Add a sub-PCB assembly as in figures 1 and 2 and a snubbing circuit for the horizontal output as in figure 3.

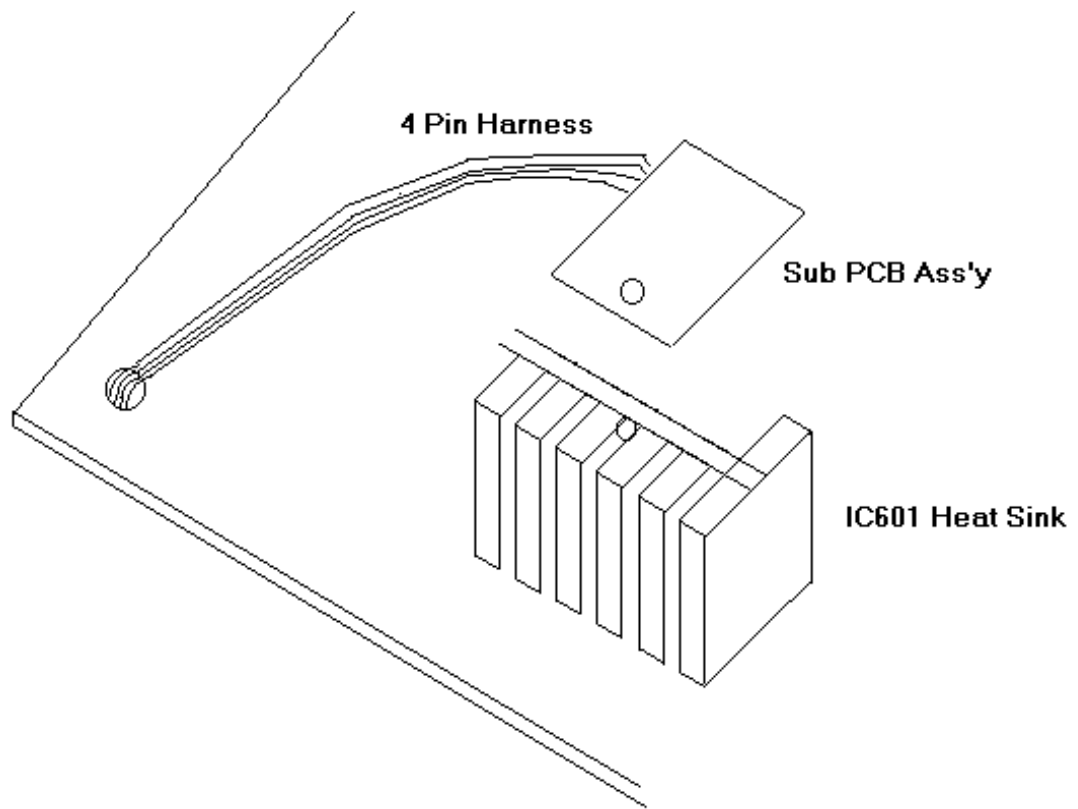
## PARTS LIST:

ORIGINAL			NEW	
Location No.	Part No.	Description	Part No.	Description
NA	NA	NA	BH92-50106J	SUB-PCB ASSEMBLY
NA	NA	NA	BH39-40355S	4 PIN CBF-HARNESS
NA	NA	NA	6003-000129	TAPTITE SCREW
NA	NA	NA	0401-000005	1N4148 DIODE
NA	NA	NA	0402-000012	UF4007 DIODE
NA	NA	NA	2003-000009	220 OMHS, 1 WATT

Disclaimer: This information is provided "as is" without warranty of any kind either expressed or implied, including, but not limited to, the implied warranties of merchantability and fitness for a particular purpose.

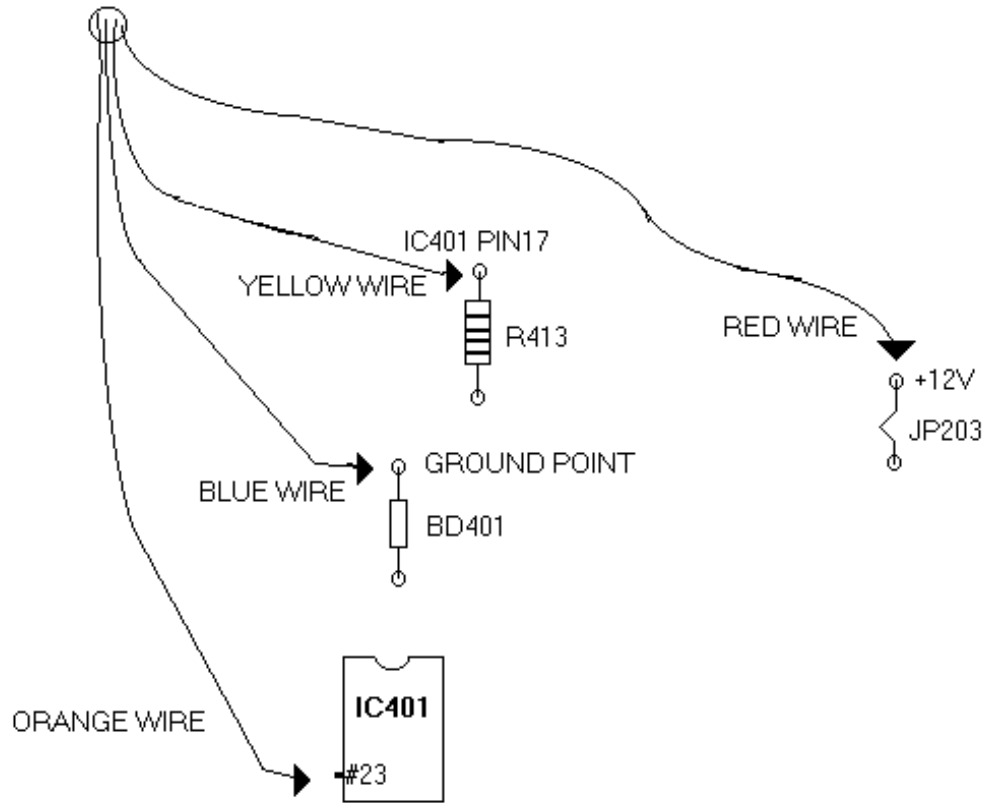
**Figure 1**

**Top View of the Main Board**



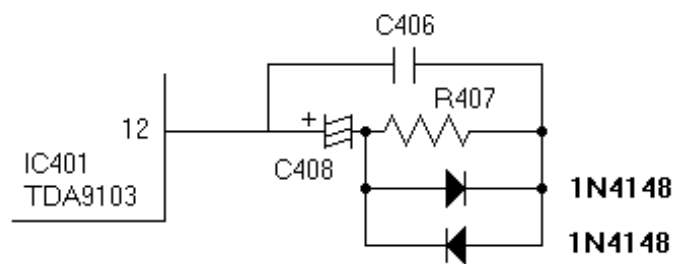
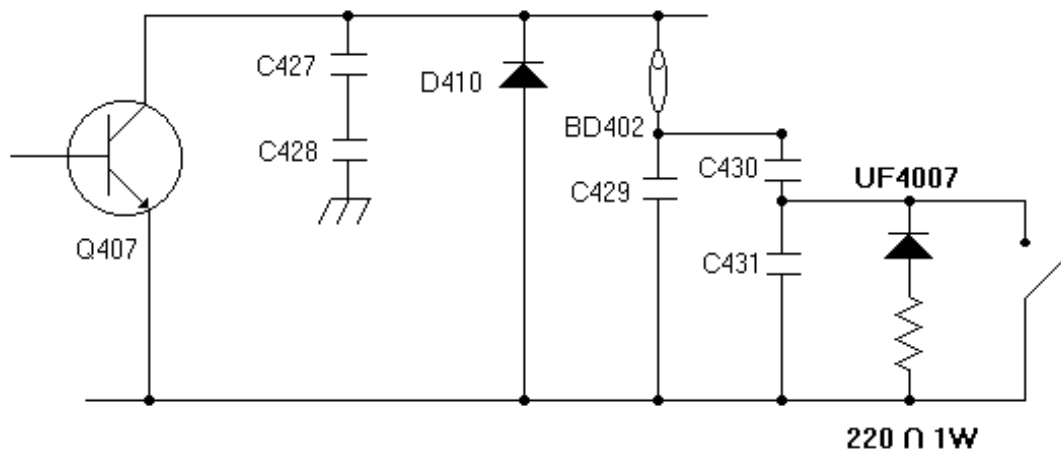
**Figure 2**

**Bottom View of the Main Board**



**Figure 3**

**Snubbing Circuits**



# SERVICE BULLETIN

**PRODUCT:** Computer Monitor  
**BULLETIN:** MON 97-007  
**MODEL:** CMB5477L

**SUBJECT:** Flyback Transformer Revisions

---

**BACKGROUND:** Samsung instituted new revision flyback transformers as of October 24, 1996. The new flyback transformer will prevent intermittent no raster conditions. The revised flyback transformers that have been applied to the latest production runs will have resistance values changed in the x-ray protection and the high voltage adjustment circuits.

**SOLUTION:** When replacing a flyback transformer refer to the parts list below. The resistance values should be changed accordingly. If the resistance values are different from the flyback transformers listed below, intermittent no raster or shutdown conditions will exist. Refer back to the original parts list and schematic located in the service manual for any flyback transformer without a revision number or label on it.

## PARTS LIST:

ORIGINAL			NEW	
Location No.	Part No.	Description	Part No.	Description
T402	BH26-10303V	REV.04 FSA15A003 SAMSUNG	BH26-10303V	REV.05 & REV.06 FSA-15A003 SAMSUNG
R516	2004-001319	1/4W, 86k ohm	2004-001349	1/4W, 91k ohm
R411	2001-000054	1/4W, 3.9k ohm	2004-000899	1/4W, 4.7k ohm
R412	2001-000722	1/4W, 4.3k ohm	2004-000698	1/4W, 3.3k ohm

Disclaimer: This information is provided "as is" without warranty of any kind either expressed or implied, including, but not limited to, the implied warranties of merchantability and fitness for a particular purpose.

# SERVICE BULLETIN

**PRODUCT:** Computer Monitor  
**BULLETIN:** MON 97-008  
**MODEL:** CFG9637

**SUBJECT:** Video Pre-amp (LM1205) Failure Causing No OSD

---

**BACKGROUND:** The OSD blanking input stage of IC101 (LM1205) shorts to the Vcc input stage due to CRT discharging and surge current.

**SOLUTION:** Add a 7.5V zenor diode between pin 13 of IC101 and ground (cathode to pin 13 and anode to ground). Replace jumper wire JP104 with a 100 ohm ½ watt resistor. The resistor will act as a delay and improve the R,G,B surge absorbers discharge effect. Replace the 300V spark gaps at each of the Red, Green, and Blue cathodes of the CRT with 200V surge absorbers.

## PARTS LIST:

ORIGINAL			NEW	
Location No.	Part No.	Description	Part No.	Description
NA	NA	NA	0403-000366	ZD 7.5V
JP104	NA	JP104	2001-000028	R-CF(S), 100 ohm, 1/2W
SGR1	4715-000106	300V, Surge Absorber	4715-000102	200V, Surge Absorber
SGB1	4715-000106	300V, Surge Absorber	4715-000102	200V, Surge Absorber
SGG1	4715-000106	300V, Surge Absorber	4715-000102	200V, Surge Absorber

Disclaimer: This information is provided "as is" without warranty of any kind either expressed or implied, including, but not limited to, the implied warranties of merchantability and fitness for a particular purpose.

# SERVICE BULLETIN

**PRODUCT:** Computer Monitor

**BULLETIN:** MON 97-009

**MODEL:** CMB5477L

**SUBJECT:** Video Pre-amp IC101 (LM1207) Failure

---

**BACKGROUND:** IC101 becomes damaged from arcing within the CRT during electronic discharge.

**SOLUTION:** Add a 300V spark gap in between the G1 grid of the CRT and ground. This will aid in reducing the discharge effect from the CRT.

## PARTS LIST:

ORIGINAL			NEW	
Location No.	Part No.	Description	Part No.	Description
NA	NA	NA	4715-000106	300V, Surge Absorber

Disclaimer: This information is provided "as is" without warranty of any kind either expressed or implied, including, but not limited to, the implied warranties of merchantability and fitness for a particular purpose.

# SERVICE BULLETIN

**PRODUCT:** Computer Monitor  
**BULLETIN:** MON 97-010  
**MODEL:** CQA4147, CQB4147

**SUBJECT:** No Raster

---

**BACKGROUND:** D618, which is the rectifier diode for the 166V line, burns due to a reverse peak voltage that occurs when power is turned off.

**SOLUTION:** A snubbing capacitor must be added in parallel with D618 in order to prevent this from occurring. This capacitor should be added to all CQB and CQA chassis as a preventative maintenance.

## PARTS LIST:

ORIGINAL			NEW	
Location No.	Part No.	Description	Part No.	Description
C643	NA	NA	2201-000012	C-CERAMIC DISK, 220pf, 10%, 1KV

Disclaimer: This information is provided "as is" without warranty of any kind either expressed or implied, including, but not limited to, the implied warranties of merchantability and fitness for a particular purpose.